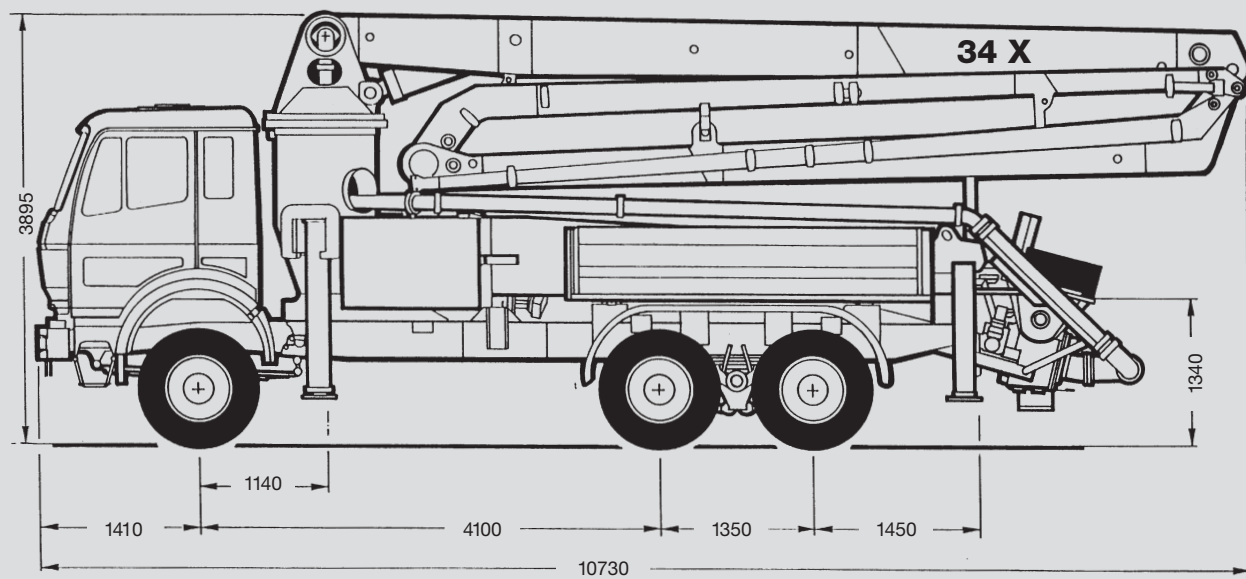


## Technical data

Pump battery: P 2023 – 110/75					Placing boom		34 R	
Drive units:		380 l per min.	535 l per min.	636 l per min.	Delivery line diameter		DN 125	
Max. concrete output, theor.	m <sup>3</sup> /h	96	136	163	Length of end hose	m	4	
Max. number of strokes	per min.	19	27	32	Vertical reach	m	34	
Max. concrete pressure	bars	85	85	85	Horizontal reach from center of slewing axis	m	30	
Max. outputs and max. pumping pressures cannot be produced simultaneously. All data are theoretical subject to and depending on available engine power, concrete mix etc.					Number of articulations	4		
					Height of folding points	m	12.1/ 19.3/ 26.5	
					Lifting angle	96°		
					1st folding angle	180°		
					2nd folding angle	180°		
					3rd folding angle	238°		
					Slewing range	550°		

### S 34 X



Dimensions in mm / MB 2631 / 6 x 4 / 4.1

10207617 (2000.04.07) S

# SCHWING

SCHWING GmbH  
P.O. Box 200362  
D-44647 Herne/Germany  
Heerstr. 9-27 · D-44653 Herne  
☎ (0)23 25/9 87-0  
Fax (0)23 25/7 29 22  
E-Mail: info@schwing.de  
http://www.schwing.de

Subject to modifications in the interest of technical progress. The exact scope of standard delivery is detailed in the offer.

## Truck-mounted concrete pump

### S 34 X





**S 34 X: best price/performance ratio in the 3-axle class. Maximum productivity. Minimum running costs.**

The most popular machines among concrete pumping services are truck-mounted concrete pumps with vertical reaches of 30 to 40 m, mounted on 3-axle trucks. Also this completely re-designed new version sets standards in many respects without diverting from the proven basic concept. Almost 2,000 units supplied worldwide in the short lifetime of the **S 34 X** are the best evidence for its popularity. And popularity, when talking about working machines, can only mean efficiency,

reliability and overall economy. And when net reach and flexibility are concerned, the S 34 X easily competes with other machines that are a couple of feet longer in "raw steel". **One** unit, only covers the range of pumps in the 32 m up to 36 m class of concrete pumps. Pump operators worldwide quickly realize the advantage of a 34 m machine with additional capacity of up to 2 tons (depending on chassis) compared to the nebulous advantage of a "longer" boom. So the SCHWING S 34 X truck-

mounted concrete pump is an ideal combination of

- standard truck chassis
- powerful pump assembly
- placing boom with optimum working range, and
- space and weight reserves for pump accessories.

**Carrier vehicles** are standard 3-axle chassis' with a short wheel-base, a permissible GVW rating of 26 tons and an increasingly preferred medium-long chassis cab with plenty of space for the operator and accessories.

The short wheel base, e.g. 4.1 m, makes the vehicle easy to handle and more manoeuvrable on and off the road. Due to its compact design, the superstructure ideally matches the chassis and the weights are balanced such that the total weight consisting of vehicle and superstructure can be up to 2 tons below the gross vehicle weight depending on the actual specification. Special permits are therefore not required.

**Maximum vertical reach of 34 m with 2 t\*) maximum payload. No problems with road traffic licensing regulations!**

**The pump assembly** – the heart of any truck-mounted concrete pump – consists of a powerful large-volume system with a stroke of 2.000 mm and pumping cylinders with 230 mm dia. In conjunction with a choice of 3 different hydrostatic compact drive systems, remarkable theoretical outputs of 96 m³/h up to 164 m³/h are obtainable. The hydraulic control is series-designed for simplified pumping operation: fast switchover even at

low stroke rate and switch over dampening system at maximum output. The design of any truck-mounted concrete pump is determined by the **placing booms**. The new S 34 X skilfully links the tried and tested with innovative elements. This is most clearly expressed in the combination of:

- a 4-section roll-and-fold-system
- the slewing ring bearing of the large-scale booms
- a distortion resistant torsionframe

- an integrated X-type stabilizer at the front and right-angled telescoping at the rear. Outstandingly rigid box profiles, fine-grained high-strength structural steels, and welded structures with low notch sensitivity make for a construction characterized by high stability, minimum distortion under load, and a long service life of components subject to static loading: all preconditions for a steady end hose during the pumping operation.

Plenty of space is available at the rear end of the loading area and in the lockable aluminium loading box with nonskid shelf to carry accessories safely. Maintenance, safety at work and repair work benefit from easily accessible maintenance areas and testing points, all accessible from the ground, sensibly designed working platforms and lighting systems as well as from simplified replacing of wearing parts.

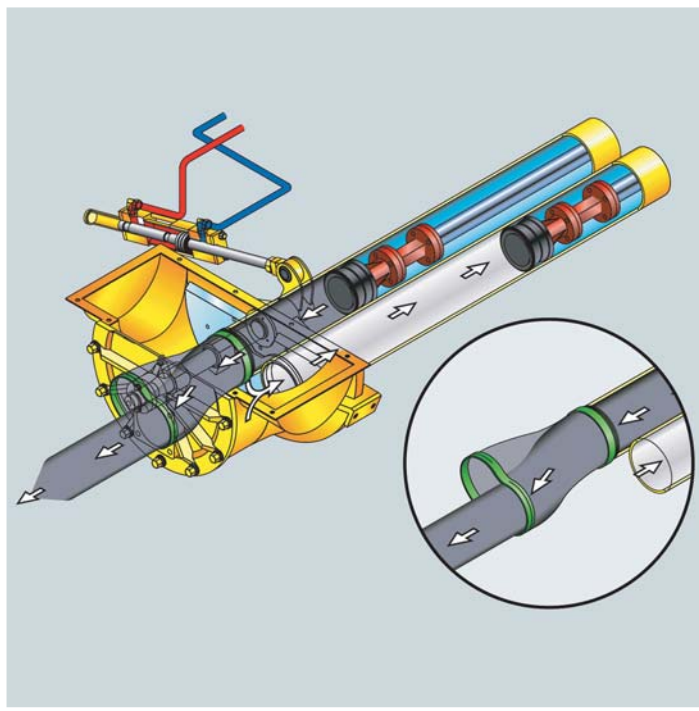




## The concrete pump: the powerful heart of the S 34 X. Output up to 163 m<sup>3</sup>/h!

The concrete pump, the crucial component of this machine, consists of the pumping cylinders with their hydrostatic drive and the concrete valve, the Rock valve. In no other component do experience and technological know-how play such an important role. And only SCHWING can give its customers security based on a development history spanning almost 50 years.

The Rock valve: exemplary in its pumping characteristics, wear performance and operational dependability. Patented in almost every industrialized country. The driving force can be selected from three different hydrostatic compact drive systems which move the pumping piston with a stroke of 2,000 mm through high-volume pumping cylinders measuring 230 mm in diameter. This makes for impressive theoretical outputs of 96 m<sup>3</sup>/h to 164 m<sup>3</sup>/h.



## All you need to make concrete pumps and their servicing fast, safe and economically efficient!

### Vector control

Vector control represents a further step in simplifying the operation and servicing of truck-mounted concrete pumps in routine construction-site service. This electronic "brain" of SCHWING truck-mounted concrete pumps enables operators to communicate with their machines at any time, to call in operating data, and to record machine status data. The outstanding feature is the graphic display with clear text menu guidance.

The modular vector control system, tested under severe mechanical and climatic conditions, is expandable to meet future requirements and thus forms the control platform for supplementary systems with new functions.



**Space and weight reserves** for the pump accessories characterize the "shipshape" layout and design of the superstructures, containers and cabinet elements.

This also applies to the multi-frequency radio remote control with 2 or 3 joysticks for booms and pushbuttons for all functions of the concrete pump and auxiliary units, including emergency stop, radio receiver with "forget-me-not" warning system. Operational dependability, servicing and maintenance benefit from the instant accessibility to intervention and inspection points. And from the central operating and service centre, the "service strip" with connections for compressed air and hydraulic water and for lubrication of the agitator and Rock valve.

Local operation with all pump functions, emergency stop switch, signalling horn, baseplates, etc. All clearly visible and readily accessible from ground level.





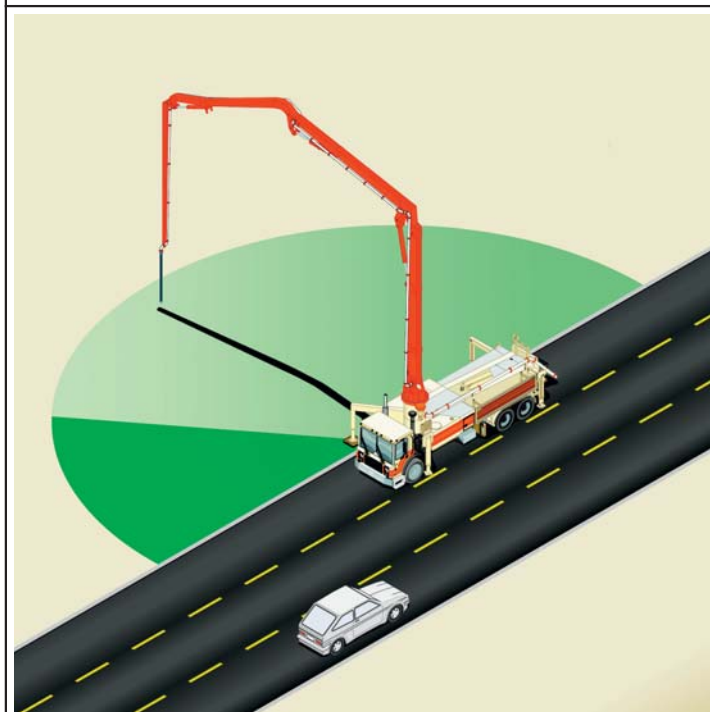
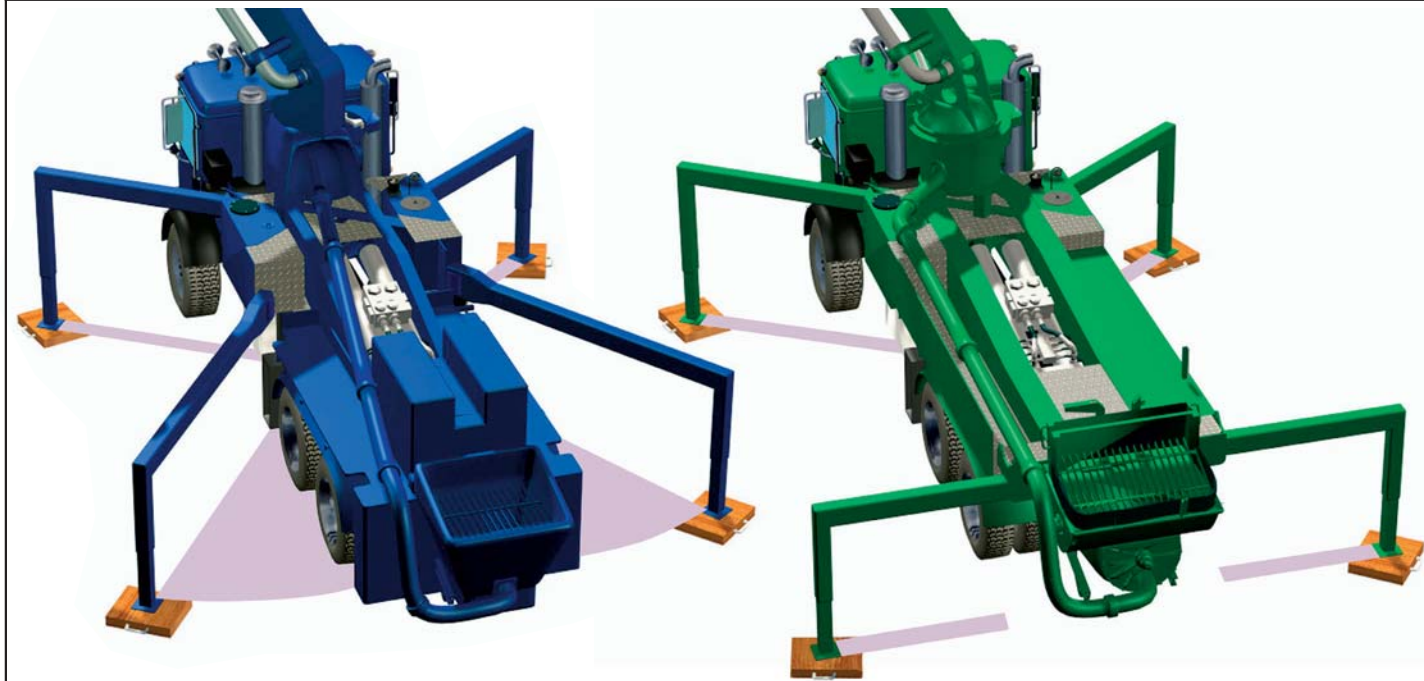
## When it really gets tight. The S 34 X turns up trumps with its EASy and X-H stabilizer systems.

The increasingly cramped conditions on construction sites are highlighting one problem: the area required to set up a truck-mounted concrete pump. The directly extended stabilizers of the S 34 X, i.e. X-type stabilizer at the front and right-

angled telescoping H-type stabilizer at the rear, offer a clear-cut advantage here. Otherwise confined to smaller truck-mounted concrete pumps, the special technology of the anti-torsion frame principle developed by SCHWING allows this stabilizer

system to be used with truck-mounted concrete pumps of the 30 m to 40 m class too. The X-H stabilizer system moves directly into its stabilizing position without any space-taking slewing motions and therefore requires 80% less set-up area

than the X-fold stabilizer system normally used in this class. Double advantage of the S 34 X: minimum set-up area and short set-up time through 60% higher stabilizer speed.



### Take it easy – with EASy

The ideal solution for frequent pumping deployments in the inner city: EASy, the Enhanced Access System for SCHWING truck-mounted concrete pumps monitors the multiply secured working range of the placing boom, even when the outrigger arms on the "idle" side are not in their working position due to cramped site conditions. For instance, EASy reduces the outrigger spread of the S 34 X by a full 2 m, yet allows the boom a 155° slewing range. The outrigger arms, which remain in their travel position, have only to be powered down and the machine brought into horizontal position.

The SCHWING 540° slew range means that the boom can be slewed directly out of travel position into the concreting area. That's a real boost to working safety because the boom does not have to be slewed through the restricted area. The operator can take it easy too. All he has to do is to keep an eye on the LED control panel. Overall, then, the EASy system by SCHWING offers a high level of tested safety, corresponding to Safety Category 3 according to European Standard EN 954-1. It has been tested and approved by the German BiA (liability insurers' institute for health and safety at work).

## The placing boom: roll-and-fold system, X-type stabilizers only 6.2 m wide at front, vertical reach 34 m!

